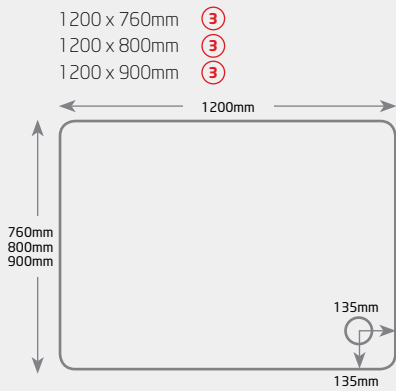
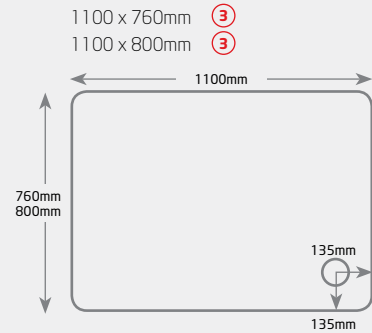
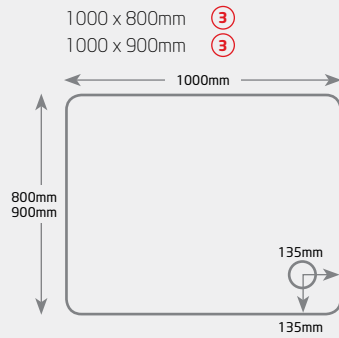
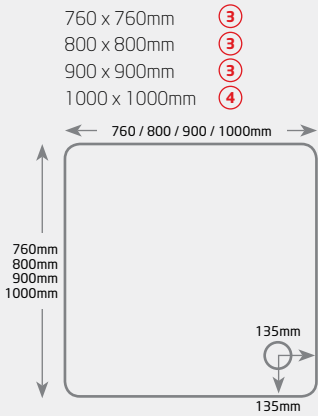
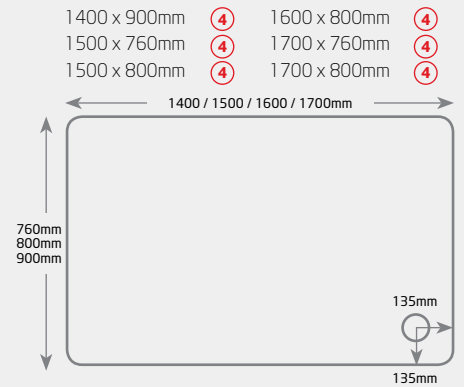
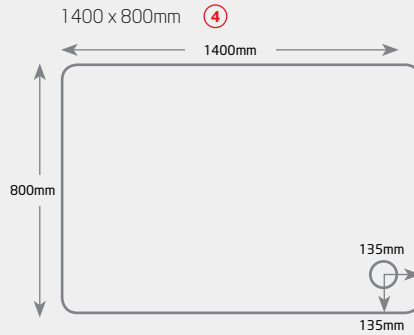


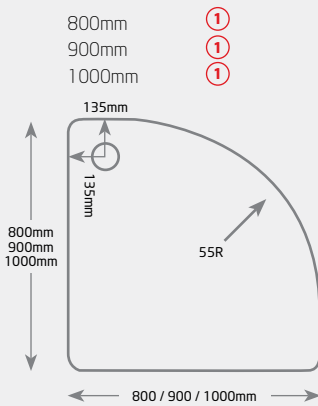
JT40® FUSION



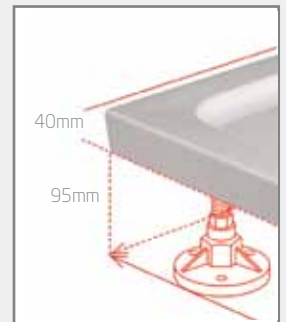
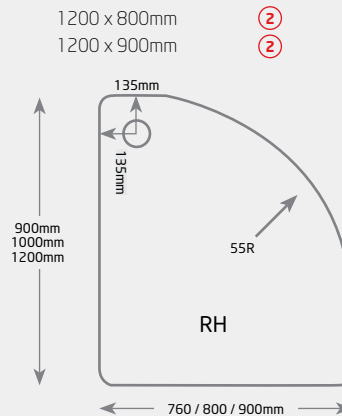
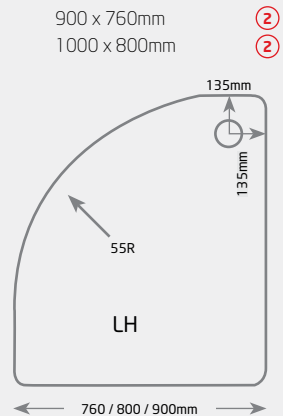
NEW FOR 2010



QUADRANT



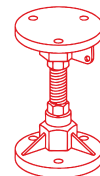
OFF SET QUADRANT



We recommend these trays are installed with a JT40 90mm waste
Shoulder width on all trays is 52mm

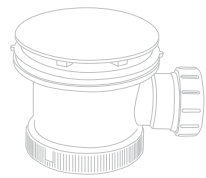
All sizes are approx

JTMERLIN® RISER KITS ARE AVAILABLE FOR ALL TRAYS



INCLUDES ALL LEGS AND FIXINGS

JT40® WASTE 90MM



See page 23 for full specification